



RAPTOR SDA

Product Brochure



RAPTOR SDA

Case Mounted Axial Flow Fan

For full detailed information on the following: **Sound Data, Accessories & Wiring Data** and **Optimum Energy Efficiency Point** please visit eltaselect.com.

QUICK FACTS

- ✓ 7 standard sizes from 250mm to 630mm.
- ✓ Air volume flow rates up to 4.60 m³/s.
- ✓ Static pressures up to 290 Pa.
- ✓ Suitable for operating temperatures up to +70°C.
- ✓ Available in **AC** & **EC**.

CASING

The all metal fan casing and guard provide a long lasting and robust construction. The units have been constructed from mild steel and suitably treated to ensure full corrosion protection. The guard is powder coated polyester epoxy paint finish in black (RAL 9005).

Fan casings are powder coated polyester epoxy paint finish in pastel beige (RAL 7032).

IMPELLER

Impellers are high quality Ziehl-Abegg Sickle Blade or FE2owlet in pressure die cast aluminium or high performance composite material providing enhanced aerodynamic properties, low noise and reliability, dynamically balanced to ISO 14694 Grade G6.3 and finished in black (RAL 9005).

Ziehl-Abegg Sickle Blade and FE2owlet impellers provide significant noise reduction.

MOTORS

Motors are highly efficient, lightweight external rotor motors, insulated to Class F, with integral thermal overload protection.

Sizes 250-350 weatherproofed to IP44.
Sizes 400-630 weatherproofed to IP54.

All fans are suitable for use with a speed controller. Electrical connection to the motor shall be provided by an IP55 terminal box.

QUALITY MANAGEMENT

Units are to be designed and manufactured with procedures as defined in BS EN ISO 9001:2008.

All SDA units are to be tested to ISO 5801:2007 (airside performance) and BS 848 Part 2:1985 (sound performance).

TYPICAL APPLICATIONS

- Sports Halls
- Squash Courts
- Schools & Colleges
- Shops
- Retail Parks
- Commercial
- Kitchens
- Factories
- Industrial Units
- Warehousing

ACCESSORIES

For full accessories & controls information please visit eltaselect.com



Elta Fans Limited has a policy of continuous product development and improvement and therefore reserves the right to supply products which may differ from those illustrated and described in this publication. Confirmation of dimensions and data will be supplied on request.

RAPTOR SDA

Performance, SFP & Electrical Data



SINGLE Phase - 220V to 240V / 50Hz

Product Code	Speed r/min	Airflow SFP	Airflow m³/s @ Static Pressure Pa.							Overall Efficiency %	FMEG N	Motor Electrical Data		dBA @ 3m	
			0	25	50	75	100	150	200			Peak Amps	Input kW		
SDA250/4-1AC	1374	m³/s	0.260	0.213						-	<125W	0.24	0.046	Inlet	39
		W/(L/s)	0.14	0.22										Outlet	40
SDA400/4-1AC	1359	m³/s	1.003	0.960	0.899	0.831	0.757			31.1	41.3	1.04	0.24	Inlet	49
		W/(L/s)	0.19	0.21	0.24	0.27	0.31							Outlet	49
SDA450/4-1AC	1302	m³/s	1.854	1.779	1.652	1.529	1.422			34.0	41.8	2.45	0.545	Inlet	50
		W/(L/s)	0.28	0.29	0.31	0.34	0.37							Outlet	49
SDA450/6-1AC	915	m³/s	1.260	1.138	1.011	0.800				30.0	41	0.89	0.189	Inlet	42
		W/(L/s)	0.14	0.16	0.19	0.23								Outlet	41
SDA500/4-1AC*	1359	m³/s	2.463	2.382	2.289	2.181	2.052	1.696		32.9	40.3	3.93	0.720	Inlet	51
		W/(L/s)	0.30	0.32	0.35	0.38	0.41	0.51						Outlet	51
SDA500/6-1AC	910	m³/s	1.719	1.549	1.363	1.155				30.4	40.6	1.25	0.289	Inlet	46
		W/(L/s)	0.15	0.17	0.20	0.24								Outlet	46
SDA560/4-1AC	1341	m³/s	3.244	3.137	3.004	2.857	2.710	2.420		35.8	41.8	5.13	1.150	Inlet	63
		W/(L/s)	0.32	0.34	0.37	0.40	0.42	0.48						Outlet	63
SDA560/6-1AC	924	m³/s	2.192	2.052	1.902	1.738	1.561			33.0	42	2.18	0.390	Inlet	52
		W/(L/s)	0.19	0.21	0.24	0.27	0.30							Outlet	52
SDA630/6-1AC	872	m³/s	2.985	2.786	2.572	2.339	2.081			32.2	40	2.82	0.66	Inlet	49
		W/(L/s)	0.18	0.20	0.23	0.26	0.30							Outlet	50

THREE Phase - 380V to 415V / 50Hz

Product Code	Speed r/min	Airflow SFP	Airflow m³/s @ Static Pressure Pa.							Overall Efficiency %	FMEG N	Motor Electrical Data			dBA @ 3m		
			0	25	50	75	100	150	200			250	Peak Amps	Input kW			Δ / Y
SDA400/4/6-3AC	1387	m³/s	1.018	0.960	0.895	0.829	0.755			32.4	42.7	0.44	0.227	Δ	Inlet	49	
		W/(L/s)	0.16	0.19	0.22	0.25	0.28								Outlet	50	
	1156	m³/s	0.874	0.809	0.717	0.600			-	0.28		0.165	Y	Inlet	46		
		W/(L/s)	0.15	0.18	0.22	0.28								Outlet	46		
SDA450/4/6-3AC	1377	m³/s	1.995	1.875	1.755	1.636	1.517	1.282		34.0	42	1.07	0.538	Δ	Inlet	50	
		W/(L/s)	0.25	0.27	0.29	0.32	0.35	0.41							Outlet	49	
	1111	m³/s	1.587	1.428	1.276	1.127	0.975			-		0.68	0.381	Y	Inlet	45	
		W/(L/s)	0.24	0.27	0.31	0.35	0.40								Outlet	45	
SDA500/4/6-3AC	1339	m³/s	2.448	2.363	2.277	2.177	2.054	1.785	1.440	34.2	41.3	1.37	0.764	Δ	Inlet	53	
		W/(L/s)	0.27	0.29	0.31	0.33	0.36	0.42	0.50						Outlet	53	
	1075	m³/s	1.935	1.772	1.597	1.403	1.185			-		0.89	0.476	Y	Inlet	48	
		W/(L/s)	0.27	0.28	0.32	0.37	0.43								Outlet	48	
SDA560/4/6-3AC	1295	m³/s	3.098	3.020	2.924	2.811	2.691	2.453	2.196	33.7	40.1	2.52	1.169	Δ	Inlet	57	
		W/(L/s)	0.32	0.34	0.36	0.39	0.42	0.49	0.55						Outlet	57	
	916	m³/s	2.348	2.152	1.939	1.733	1.511			-		1.27	0.654	Y	Inlet	51	
		W/(L/s)	0.25	0.29	0.33	0.38	0.43								Outlet	51	
SDA630/4/6-3AC	1342	m³/s	4.593	4.482	4.366	4.244	4.115	3.834	3.514	3.141	40.7	45.6	3.38	1.812	Δ	Inlet	67
		W/(L/s)	0.36	0.38	0.40	0.42	0.44	0.50	0.55	0.62						Outlet	67
	1068	m³/s	3.816	3.626	3.430	3.226	3.014	2.562			-		2.17	1.324	Y	Inlet	59
		W/(L/s)	0.31	0.34	0.37	0.40	0.43	0.52								Outlet	59
SDA630/6/8-3AC	906	m³/s	3.000	2.821	2.627	2.433	2.226			33.8	41.6	1.20	0.62	Δ	Inlet	49	
		W/(L/s)	0.17	0.18	0.21	0.23	0.27								Outlet	48	
	736	m³/s	2.480	2.257	1.965	1.598				-		0.74	0.412	Y	Inlet	46	
		W/(L/s)	0.15	0.17	0.21	0.27									Outlet	44	

Data in accordance with ErP 327/2011 of the European Parliament. Measurement category used to determine energy efficiency: A.

Data provided at standard air density of 1.2 kg/m³.

The overall A-weighted sound pressure level is at a distance of 3m with spherical free-field propagation. It is expressed in dB re-20µPa and is presented for comparative purposes only.

*An Inverter must be installed with this fan.

Elta Fans Limited has a policy of continuous product development and improvement and therefore reserves the right to supply products which may differ from those illustrated and described in this publication. Confirmation of dimensions and data will be supplied on request.

RAPTOR SDA

Performance, SFP & Electrical Data



SINGLE Phase - 200V to 277V / 50Hz or 60Hz

Product Code	Control Voltage	Airflow SFP	Airflow m³/s @ Static Pressure Pa.									Overall Efficiency %	FMEG N	Motor Electrical Data		dBA @ 3m	
			0	25	50	75	100	150	200	250	300			Peak Amps	Input kW		
SDA250/2-1EC	10V	m³/s	0.454	0.422	0.388	0.350	0.308					-	<125W	1.02	0.106	Inlet	55
		W/(L/s)	0.23	0.25	0.28	0.30	0.34									Outlet	54
	8V	m³/s	0.393	0.346	0.296	0.242						-		0.64	-	Inlet	49
		W/(L/s)	0.17	0.19	0.21	0.27										Outlet	48
	5V	m³/s	0.230	0.165								-		0.19	-	Inlet	38
		W/(L/s)	0.09	0.11												Outlet	37
	2V	m³/s	0.084									-		0.07	-	Inlet	20*
		W/(L/s)	0.04													Outlet	20*
SDA250/2B-1EC	10V	m³/s	0.615	0.579	0.548	0.518	0.490	0.433	0.361			31.7	42.2	2.00	0.226	Inlet	61
		W/(L/s)	0.35	0.39	0.42	0.45	0.47	0.52	0.65							Outlet	60
	8V	m³/s	0.475	0.453	0.427	0.397	0.362	0.255				-		1.23	-	Inlet	55
		W/(L/s)	0.30	0.30	0.30	0.32	0.36	0.54								Outlet	55
	5V	m³/s	0.304	0.258	0.197							-		0.37	-	Inlet	44
		W/(L/s)	0.14	0.14	0.19											Outlet	44
	2V	m³/s	0.118									-		0.09	-	Inlet	20*
		W/(L/s)	0.05													Outlet	20*
SDA350/4-1EC	10V	m³/s	1.199	1.152	1.104	1.055	1.004	0.895	0.766			38.6	47.2	1.98	0.424	Inlet	57
		W/(L/s)	0.31	0.34	0.36	0.39	0.42	0.48	0.55							Outlet	58
	8V	m³/s	0.924	0.877	0.820	0.752	0.676					-		1.05	-	Inlet	52
		W/(L/s)	0.22	0.23	0.26	0.28	0.32									Outlet	53
	5V	m³/s	0.555	0.461								-		0.32	-	Inlet	41
		W/(L/s)	0.09	0.12												Outlet	41
	2V	m³/s	0.190									-		0.11	-	Inlet	20*
		W/(L/s)	0.05													Outlet	20*
SDA350/6-1EC	10V	m³/s	0.784	0.649	0.521	0.400						-	<125W	1.06	0.115	Inlet	44
		W/(L/s)	0.15	0.18	0.22	0.29										Outlet	43
	8V	m³/s	0.609	0.494	0.350							-		0.62	-	Inlet	40
		W/(L/s)	0.11	0.13	0.19											Outlet	40
	5V	m³/s	0.378									-		0.20	-	Inlet	29
		W/(L/s)	0.06													Outlet	29
	2V	m³/s	0.139									-		0.08	-	Inlet	20*
		W/(L/s)	0.03													Outlet	20*
SDA400/4-1EC	10V	m³/s	1.410	1.370	1.324	1.274	1.219	1.097	0.947			49.5	58.5	2.29	0.490	Inlet	58
		W/(L/s)	0.30	0.32	0.34	0.36	0.39	0.45	0.53							Outlet	58
	8V	m³/s	1.134	1.055	0.984	0.912	0.832					-		1.17	-	Inlet	53
		W/(L/s)	0.18	0.21	0.23	0.26	0.29									Outlet	53
	5V	m³/s	0.673	0.560	0.410							-		0.35	-	Inlet	41
		W/(L/s)	0.08	0.11	0.15											Outlet	41
	2V	m³/s	0.224									-		0.11	-	Inlet	20*
		W/(L/s)	0.04													Outlet	20*

A variable speed drive is integrated within the fan.

Data in accordance with ErP 327/2011 of the European Parliament. Measurement category used to determine energy efficiency: A.

Data provided at standard air density of 1.2 kg/m³.

The overall A-weighted sound pressure level is at a distance of 3m with spherical free-field propagation. It is expressed in dB re-20µPa and is presented for comparative purposes only.

Elta Fans Limited has a policy of continuous product development and improvement and therefore reserves the right to supply products which may differ from those illustrated and described in this publication. Confirmation of dimensions and data will be supplied on request.

RAPTOR SDA

Performance, SFP & Electrical Data



SINGLE Phase - 200V to 277V / 50Hz or 60Hz

Product Code	Control Voltage	Airflow SFP	Airflow m³/s @ Static Pressure Pa.									Overall Efficiency %	FMEG N	Motor Electrical Data		dBA @ 3m		
			0	25	50	75	100	150	200	250	300			Peak Amps	Input kW			
SDA450/4-1EC	10V	m³/s	1.362	1.306	1.220	1.090	0.908					41.0	50.6	1.38	0.284	Inlet	56	
		W/(L/s)	0.18	0.20	0.22	0.26	0.32									Outlet	56	
	8V	m³/s	1.049	0.979	0.823							-		-	0.72	-	Inlet	51
		W/(L/s)	0.12	0.13	0.17							Outlet					52	
	5V	m³/s	0.640									-		-	0.23	-	Inlet	41
		W/(L/s)	0.05									Outlet					41	
	2V	m³/s	0.213									-		-	0.10	-	Inlet	20*
		W/(L/s)	0.04									Outlet					20*	
SDA500/4-1EC	10V	m³/s	2.384	2.317	2.245	2.165	2.077	1.860	1.523			40.1	46.9	3.32	0.740	Inlet	57	
		W/(L/s)	0.27	0.29	0.31	0.33	0.35	0.40	0.47							Outlet	57	
	8V	m³/s	1.921	1.828	1.713	1.562	1.321					-		-	1.76	-	Inlet	52
		W/(L/s)	0.17	0.19	0.21	0.24	0.29					Outlet					52	
	5V	m³/s	1.120	0.958								-		-	0.48	-	Inlet	42
		W/(L/s)	0.08	0.10								Outlet					41	
	2V	m³/s	0.352									-		-	0.29	-	Inlet	20*
		W/(L/s)	0.08									Outlet					20*	
SDA560/4-1EC	10V	m³/s	2.769	2.685	2.569	2.443	2.322	2.021				41.6	48.6	3.40	0.742	Inlet	54	
		W/(L/s)	0.23	0.25	0.27	0.30	0.32	0.37								Outlet	55	
	8V	m³/s	2.252	2.089	1.931	1.775	1.560					-		-	1.79	-	Inlet	49
		W/(L/s)	0.14	0.17	0.19	0.22	0.25					Outlet					49	
	5V	m³/s	1.312	1.024								-		-	0.48	-	Inlet	39
		W/(L/s)	0.06	0.09								Outlet					39	
	2V	m³/s	0.426									-		-	0.22	-	Inlet	20
		W/(L/s)	0.08									Outlet					20	
SDA630/4-1EC	10V	m³/s	3.398	3.225	3.053	2.874	2.676	2.134				46.3	53.3	3.42	0.737	Inlet	53	
		W/(L/s)	0.16	0.19	0.22	0.24	0.27	0.35								Outlet	53	
	8V	m³/s	2.679	2.492	2.274	2.003	1.620					-		-	2.06	-	Inlet	49
		W/(L/s)	0.11	0.13	0.16	0.19	0.23					Outlet					49	
	5V	m³/s	1.555	1.291								-		-	0.54	-	Inlet	41
		W/(L/s)	0.05	0.07								Outlet					41	
	2V	m³/s	0.524									-		-	0.30	-	Inlet	20*
		W/(L/s)	0.12									Outlet					20*	

A variable speed drive is integrated within the fan.

Data in accordance with ErP 327/2011 of the European Parliament. Measurement category used to determine energy efficiency: A.

Data provided at standard air density of 1.2 kg/m³.

The overall A-weighted sound pressure level is at a distance of 3m with spherical free-field propagation. It is expressed in dB re-20µPa and is presented for comparative purposes only.

Elta Fans Limited has a policy of continuous product development and improvement and therefore reserves the right to supply products which may differ from those illustrated and described in this publication. Confirmation of dimensions and data will be supplied on request.

RAPTOR SDA

Performance, SFP & Electrical Data



THREE Phase - 380V to 480V / 50Hz or 60Hz

Product Code	Control Voltage	Airflow SFP	Airflow m³/s @ Static Pressure Pa.								Overall Efficiency %	FMEG N	Motor Electrical Data		dBA @ 3m		
			0	25	50	75	100	150	200	250			300	Peak Amps			Input kW
SDA500/4-3EC	10V	m³/s	2.649	2.590	2.518	2.428	2.319	2.059	1.672			41.8	46.5	1.53	0.920	Inlet	59
		W/(L/s)	0.31	0.32	0.34	0.36	0.39	0.45	0.54							Outlet	58
	8V	m³/s	2.073	1.997	1.902	1.793	1.674					-	-	0.94	-	Inlet	53
		W/(L/s)	0.20	0.22	0.24	0.26	0.29									Outlet	53
	5V	m³/s	1.232	1.080								-	-	0.37	-	Inlet	43
		W/(L/s)	0.08	0.11												Outlet	43
	2V	m³/s	0.406									-	-	0.17	-	Inlet	20*
		W/(L/s)	0.04													Outlet	20*
SDA560/4-3EC	10V	m³/s	3.048	2.964	2.861	2.735	2.588	2.239				42.6	49	1.54	0.941	Inlet	57
		W/(L/s)	0.27	0.29	0.30	0.33	0.35	0.42								Outlet	57
	8V	m³/s	2.459	2.319	2.165	1.989	1.780					-	-	0.95	-	Inlet	51
		W/(L/s)	0.17	0.19	0.22	0.24	0.27									Outlet	51
	5V	m³/s	1.485	1.180								-	-	0.36	-	Inlet	42
		W/(L/s)	0.07	0.10												Outlet	42
	2V	m³/s	0.447									-	-	0.17	-	Inlet	20*
		W/(L/s)	0.04													Outlet	20*
SDA630/4-3EC	10V	m³/s	3.826	3.706	3.589	3.471	3.348	3.073	2.702			48.5	54.6	1.94	1.087	Inlet	56
		W/(L/s)	0.21	0.23	0.25	0.28	0.30	0.35	0.41							Outlet	55
	8V	m³/s	3.102	2.925	2.768	2.610	2.436	1.891				-	-	1.05	-	Inlet	53
		W/(L/s)	0.13	0.16	0.18	0.21	0.23	0.30								Outlet	52
	5V	m³/s	1.841	1.592	0.651							-	-	0.43	-	Inlet	43
		W/(L/s)	0.06	0.08	0.19											Outlet	43
	2V	m³/s	0.576									-	-	0.18	-	Inlet	20*
		W/(L/s)	0.03													Outlet	20*

A variable speed drive is integrated within the fan.

Data in accordance with ErP 327/2011 of the European Parliament. Measurement category used to determine energy efficiency: A.

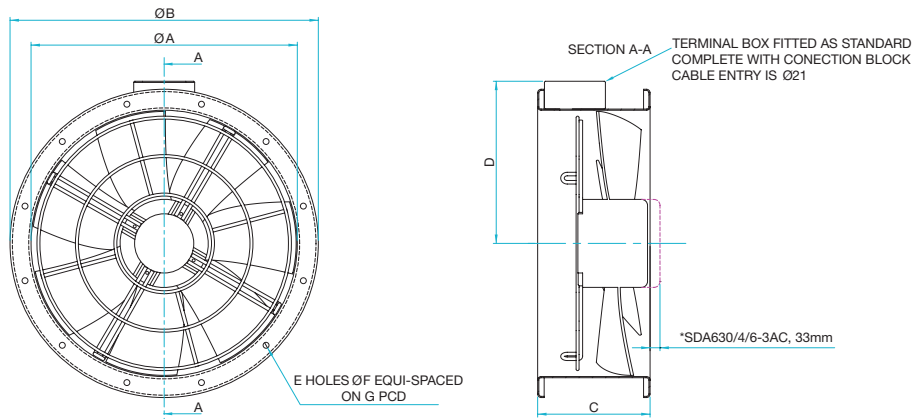
Data provided at standard air density of 1.2 kg/m³.

The overall A-weighted sound pressure level is at a distance of 3m with spherical free-field propagation. It is expressed in dB re-20µPa and is presented for comparative purposes only.

Elta Fans Limited has a policy of continuous product development and improvement and therefore reserves the right to supply products which may differ from those illustrated and described in this publication. Confirmation of dimensions and data will be supplied on request.

RAPTOR SDA

Dimensional Data



Product Code	A	B	C	D	E	F	G	Weight kg
SDA250/4-1	257	306	180	174	8	7	286	5
SDA350/4-1	356	421	180	224	8	9.5	395	10
SDA400/4-1	400	466	205	249	12	9.5	438	9
SDA400/4/6-3								10
SDA450/4-1	450	515	255	274	12	9.5	487	21
SDA450/6-1								19
SDA450/4/6-3								19
SDA500/4-1	503	575	250	299	12	10	541	21.5
SDA500/6-1								20
SDA500/4/6-3								21.5
SDA560/4-1	560	636	272	329	16	11.5	605	29
SDA560/6-1								24
SDA560/4/6-3								26
SDA630/6-1	634	709	250	364	16	11.5	674	25
SDA630/4/6-3								38
SDA630/6/8-3								25

Dimensions are in mm.

Elta Fans Limited has a policy of continuous product development and improvement and therefore reserves the right to supply products which may differ from those illustrated and described in this publication. Confirmation of dimensions and data will be supplied on request.

RAPTOR SDA

Accessories



Product Code	Electronic Controller	Transformer Controller	Wall Cowl	Ancillary Pack*	Mounting Feet (each)	Matching Flanges (each)
SDA250/4-1AC	149-EL31	149-TC12	SWC25/31	APK250SCD/001	060A-0250-C	061A-0250-C
SDA400/4-1AC	149-EL31TK	149-TC12	SWC35/40	APK400SCD/001	060A-0400-C	061A-0400-C
SDA450/4-1AC	149-EL31TK	149-TC12	SWC45/50	APK450SCD/001	060A-0450-C	061A-0450-C
SDA450/6-1AC	149-EL31TK	149-TC1	SWC45/50	APK450SCD/001	060A-0450-C	061A-0450-C
SDA500/4-1AC	149-FXET4AMQ	-	SWC45/50	APK500SCD/002	060A-0500-C	061A-0500-C
SDA500/6-1AC	149-EL31TK	149-TC12	SWC45/50	APK500SCD/002	060A-0500-C	061A-0500-C
SDA560/4-1AC	-	149-TC110	SWC56/63	APK560SCD/002	060A-0560-C	061A-0560-C
SDA560/6-1AC	149-EL31TK	149-TC14	SWC56/63	APK560SCD/002	060A-0560-C	061A-0560-C
SDA630/6-1AC	149-EL61TK	149-TC14	SWC56/63	APK630SCD/002	060A-0630-C	061A-0630-C

Product Code	Flexible Connections (each)	AV Mounts (set of 4)	Silencer 1D Podded	Silencer 1D Unpodded	Silencer 2D Podded	Silencer 2D Unpodded	Wiring Diagram
SDA250/4-1AC	063-0250-MAN150	062-001	068-0250-1DEP	068-0250-1DENP	068-0250-2DEP	068-0250-2DENP	152-177
SDA400/4-1AC	063-0400-MAN150	062-001	068-0400-1DEPC	068-0400-1DENPC	068-0400-2DEPC	068-0400-2DENPC	152-104B
SDA450/4-1AC	063-0450-MAN150	062-001	068-0450-1DEPC	068-0450-1DENPC	068-0450-2DEPC	068-0450-2DENPC	152-104B
SDA450/6-1AC	063-0450-MAN150	062-001	068-0450-1DEPC	068-0450-1DENPC	068-0450-2DEPC	068-0450-2DENPC	152-104B
SDA500/4-1AC	063-0500-MAN150	062-002	068-0500-1DEPC	068-0500-1DENPC	068-0500-2DEPC	068-0500-2DENPC	152-706
SDA500/6-1AC	063-0500-MAN150	062-002	068-0500-1DEPC	068-0500-1DENPC	068-0500-2DEPC	068-0500-2DENPC	152-104B
SDA560/4-1AC	063-0560-MAN150	062-002	068-0560-1DEPC	068-0560-1DENPC	068-0560-2DEPC	068-0560-2DENPC	152-104B
SDA560/6-1AC	063-0560-MAN150	062-002	068-0560-1DEPC	068-0560-1DENPC	068-0560-2DEPC	068-0560-2DENPC	152-104B
SDA630/6-1AC	063-0630-MAN200	062-002	068-0630-1DEPC	068-0630-1DENPC	068-0630-2DEPC	068-0630-2DENPC	152-104B

Product Code	Transformer Controller	Wall Cowl	Ancillary Pack*	Mounting Feet (each)	Matching Flanges (each)	Flexible Connections (each)	AV Mounts (set of 4)
SDA400/4/6-3AC	149-TC33	SWC35/40	APK400SCD/001	060A-0400-C	061A-0400-C	063-0400-MAN150	062-001
SDA450/4/6-3AC	149-TC33	SWC45/50	APK450SCD/001	060A-0450-C	061A-0450-C	063-0450-MAN150	062-001
SDA500/4/6-3AC	149-TC33	SWC45/50	APK500SCD/002	060A-0500-C	061A-0500-C	063-0500-MAN150	062-002
SDA560/4/6-3AC	149-TC33	SWC56/63	APK560SCD/002	060A-0560-C	061A-0560-C	063-0560-MAN150	062-002
SDA630/4/6-3AC	149-TC310	SWC56/63	APK630SCD/002	060A-0630-C	061A-0630-C	063-0630-MAN200	062-002
SDA630/6/8-3AC	149-TC33	SWC56/63	APK630SCD/002	060A-0630-C	061A-0630-C	063-0630-MAN200	062-002

Product Code	Silencer 1D Podded	Silencer 1D Unpodded	Silencer 2D Podded	Silencer 2D Unpodded	Wiring Diagram
SDA400/4/6-3AC	068-0400-1DEPC	068-0400-1DENPC	068-0400-2DEPC	068-0400-2DENPC	152-108
SDA450/4/6-3AC	068-0450-1DEPC	068-0450-1DENPC	068-0450-2DEPC	068-0450-2DENPC	152-108
SDA500/4/6-3AC	068-0500-1DEPC	068-0500-1DENPC	068-0500-2DEPC	068-0500-2DENPC	152-108
SDA560/4/6-3AC	068-0560-1DEPC	068-0560-1DENPC	068-0560-2DEPC	068-0560-2DENPC	152-108
SDA630/4/6-3AC	068-0630-1DEPC	068-0630-1DENPC	068-0630-2DEPC	068-0630-2DENPC	152-108
SDA630/6/8-3AC	068-0630-1DEPC	068-0630-1DENPC	068-0630-2DEPC	068-0630-2DENPC	152-108

* Consists of Flexible Connections, Matching Flanges, AV Mounts and Mounting Feet.

Elta Fans Limited has a policy of continuous product development and improvement and therefore reserves the right to supply products which may differ from those illustrated and described in this publication. Confirmation of dimensions and data will be supplied on request.

RAPTOR SDA

Accessories



Product Code	Electronic Controller	Wall Cowl	Ancillary Pack*	Mounting Feet (each)	Matching Flanges (each)	Flexible Connections (each)	AV Mounts (set of 4)
SDA250/2-1EC	149-POT-10	SWC25/31	APK250SCD/001	060A-0250-C	061A-0250-C	063-0250-MAN150	062-001
SDA250/2B-1EC	149-POT-10	SWC25/31	APK250SCD/001	060A-0250-C	061A-0250-C	063-0250-MAN150	062-001
SDA350/4-1EC	149-POT-10	SWC35/40	APK350SCD/001	060A-0350-C	061A-0350-C	063-0350-MAN150	062-001
SDA350/6-1EC	149-POT-10	SWC35/40	APK350SCD/001	060A-0350-C	061A-0350-C	063-0350-MAN150	062-001
SDA400/4-1EC	149-POT-10	SWC35/40	APK400SCD/001	060A-0400-C	061A-0400-C	063-0400-MAN150	062-001
SDA450/4-1EC	149-POT-10	SWC45/50	APK450SCD/001	060A-0450-C	061A-0450-C	063-0450-MAN150	062-001
SDA500/4-1EC	149-POT-10	SWC45/50	APK500SCD/002	060A-0500-C	061A-0500-C	063-0500-MAN150	062-002
SDA560/4-1EC	149-POT-10	SWC56/63	APK560SCD/002	060A-0560-C	061A-0560-C	063-0560-MAN150	062-002
SDA630/4-1EC	149-POT-10	SWC56/63	APK630SCD/002	060A-0630-C	061A-0630-C	063-0630-MAN200	062-002

Product Code	Silencer 1D Podded	Silencer 1D Unpodded	Silencer 2D Podded	Silencer 2D Unpodded	Wiring Diagram
SDA250/2-1EC	068-0250-1DEP	068-0250-1DENP	068-0250-2DEP	068-0250-2DENP	152-00036
SDA250/2B-1EC	068-0250-1DEP	068-0250-1DENP	068-0250-2DEP	068-0250-2DENP	152-00036
SDA350/4-1EC	068-0350-1DEP	068-0350-1DENP	068-0350-2DEP	068-0350-2DENP	152-00044
SDA350/6-1EC	068-0350-1DEP	068-0350-1DENP	068-0350-2DEP	068-0350-2DENP	152-00036
SDA400/4-1EC	068-0400-1DEPC	068-0400-1DENPC	068-0400-2DEPC	068-0400-2DENPC	152-00044
SDA450/4-1EC	068-0450-1DEPC	068-0450-1DENPC	068-0450-2DEPC	068-0450-2DENPC	152-00044
SDA500/4-1EC	068-0500-1DEPC	068-0500-1DENPC	068-0500-2DEPC	068-0500-2DENPC	152-MOEA03K1
SDA560/4-1EC	068-0560-1DEPC	068-0560-1DENPC	068-0560-2DEPC	068-0560-2DENPC	152-MOEA03K1
SDA630/4-1EC	068-0630-1DEPC	068-0630-1DENPC	068-0630-2DEPC	068-0630-2DENPC	152-MOEA03K1

Product Code	Electronic Controller	Wall Cowl	Ancillary Pack*	Mounting Feet (each)	Matching Flanges (each)	Flexible Connections (each)	AV Mounts (set of 4)
SDA500/4-3EC	149-POT-10	SWC45/50	APK500SCD/002	060A-0500-C	061A-0500-C	063-0500-MAN150	062-002
SDA560/4-3EC	149-POT-10	SWC56/63	APK560SCD/002	060A-0560-C	061A-0560-C	063-0560-MAN150	062-002
SDA630/4-3EC	149-POT-10	SWC56/63	APK630SCD/002	060A-0630-C	061A-0630-C	063-0630-MAN200	062-002

Product Code	Silencer 1D Podded	Silencer 1D Unpodded	Silencer 2D Podded	Silencer 2D Unpodded	Wiring Diagram
SDA500/4-3EC	068-0500-1DEPC	068-0500-1DENPC	068-0500-2DEPC	068-0500-2DENPC	152-MOEA03K3
SDA560/4-3EC	068-0560-1DEPC	068-0560-1DENPC	068-0560-2DEPC	068-0560-2DENPC	152-MOEA03K3
SDA630/4-3EC	068-0630-1DEPC	068-0630-1DENPC	068-0630-2DEPC	068-0630-2DENPC	152-MOEA03K3

* Consists of Flexible Connections, Matching Flanges, AV Mounts and Mounting Feet.

Elta Fans Limited has a policy of continuous product development and improvement and therefore reserves the right to supply products which may differ from those illustrated and described in this publication. Confirmation of dimensions and data will be supplied on request.

Applied Technology

Tel: +44 (0) 1489 566500
Fax: +44 (0) 1489 566555
Email: at@eltafans.co.uk

17 Barnes Wallis Road,
Segensworth East Industrial
Estate, Fareham, Hampshire,
PO15 5ST United Kingdom

Building Services

Tel: +44 (0) 1384 275800
Fax: +44 (0) 1384 275810
Email: bs@eltafans.co.uk

46 Third Avenue,
Pensnett Trading Estate,
Kingswinford, West Midlands,
DY6 7US United Kingdom

Export

Tel: +44 (0) 1489 566500
Fax: +44 (0) 1489 566555
Email: export@eltafans.co.uk

17 Barnes Wallis Road,
Segensworth East Industrial
Estate, Fareham, Hampshire,
PO15 5ST United Kingdom

www.eltafans.com



BS EN ISO 9001:2008 FM 556465

