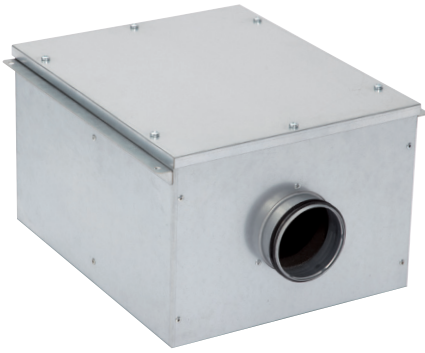


# QUIETFLOW SQS

Product Brochure



# QUIETFLOW SQS

## Centrifugal Box Fan

For full detailed information on the following:  
**Sound Data, Accessories & Wiring Data**  
 and **Optimum Energy Efficiency Point**  
 please visit [eltaselect.com](http://eltaselect.com).

### QUICK FACTS

- ✓ 8 sizes from 100mm to 500mm.
- ✓ Air volume flow rates up to 1.867 m<sup>3</sup>/s (AC) and 1.789 m<sup>3</sup>/s (EC).
- ✓ Static pressures up to 640 Pa (AC) and 930 Pa (EC).
- ✓ Suitable for operating temperatures up to +60°C.
- ✓ Robust galvanised sheet steel casing.
- ✓ Available in **AC** & **EC**.

### CASING

The robust 1.2mm galvanised mild steel sheet casing, is treated internally with a Class O rated (BS 476 Parts 6 and 7) fire resistant acoustic foam lining with a fire resistant polymeric coating. The wrap around folded casing is specially manufactured using integral motor mounting plates to provide additional rigidity for the casings.

Each casing provides spigots to suit standard circular ducting. EPDM (Ethylene Propylene) rubber U shaped seals (being ozone and UV stable) are used to ensure a good seal back to the duct that is to be attached. A removable lid is provided as a standard feature to facilitate ease of maintenance and cleaning.

### IMPELLER

High efficiency low tonal noise backward curved centrifugal impeller. Dynamically balanced to ISO 14694 Grade G6.3 and directly driven by the motor to provide a smooth airflow through the unit.

### MOTORS

The single range of units may have either an EC or AC external rotor motor fitted as standard. The motor contains sealed for life bearings. Thermal Class of motors to THCL 130 or 155 dependent on size.

Manufactured by Ziehl-Abegg providing increased reliability

All motors are suitable for use in ambient air conditions up to +60°C.

Electrical connection shall be via an IP55 terminal box mounted on the side for easy customer connection.

### QUALITY MANAGEMENT

Units are to be designed and manufactured with procedures as defined in BS EN ISO 9001:2008.

All SQS units are to be tested to ISO 5801:2007 (airside performance) and BS 848 Part 2:1985 (sound performance).

### TYPICAL APPLICATIONS

- Toilets
- Bathrooms
- Hotels
- Schools
- Colleges
- Libraries

### ACCESSORIES

For full accessories & controls information please visit [eltaselect.com](http://eltaselect.com)



Elta Fans Limited has a policy of continuous product development and improvement and therefore reserves the right to supply products which may differ from those illustrated and described in this publication. Confirmation of dimensions and data will be supplied on request.

# QUIETFLOW SQS

Performance, SFP & Electrical Data



SINGLE Phase - 220V to 240V / 50Hz

Product Code	Speed r/min	Airflow SFP	Airflow m³/s @ Static Pressure Pa.												Overall Efficiency %	Motor Electrical Data		dBA @ 3m	
			0	25	50	75	100	150	200	250	300	350	400	500		Peak Amps	Input kW		
SQS125-1ACL	2550	m³/s	0.131	0.124	0.117	0.110	0.103	0.087	0.071	0.052	0.032	0.007			19.2	0.36	0.074	Inlet	45
		W/(L/s)	0.65	0.68	0.71	0.74	0.78	0.89	1.04	1.31	1.99	8.87						Outlet	45
SQS150-1ACL	2485	m³/s	0.130	0.122	0.114	0.106	0.099	0.084	0.069	0.052	0.031	0.007			19.3	0.34	0.070	Inlet	51
		W/(L/s)	0.47	0.51	0.56	0.61	0.66	0.77	0.93	1.18	1.79	6.85						Outlet	52
SQS200-1ACL	2500	m³/s	0.240	0.228	0.217	0.205	0.194	0.172	0.150	0.128	0.107	0.084	0.061		25.7	0.63	0.136	Inlet	47
		W/(L/s)	0.56	0.60	0.64	0.68	0.72	0.82	0.93	1.07	1.26	1.53	2.03						Outlet
SQS250-1ACL	2710	m³/s	0.335	0.326	0.317	0.307	0.296	0.270	0.241	0.210	0.180	0.152	0.125	0.075	28.6	1.23	0.263	Inlet	50
		W/(L/s)	0.59	0.62	0.64	0.67	0.71	0.79	0.89	1.02	1.18	1.35	1.57	2.33					
SQS315-1ACL	2715	m³/s	0.404	0.389	0.376	0.365	0.354	0.334	0.314	0.293	0.271	0.247	0.220	0.150	32.6	1.16	0.271	Inlet	40
		W/(L/s)	0.55	0.58	0.61	0.64	0.67	0.74	0.81	0.89	0.98	1.09	1.23	1.68					
SQS400-1ACL	1385	m³/s	0.669	0.631	0.592	0.552	0.509	0.408	0.251						29.6	1.13	0.204	Inlet	43
		W/(L/s)	0.34	0.35	0.37	0.40	0.43	0.52	0.73										
SQS500-1ACL	1400	m³/s	1.867	1.830	1.786	1.736	1.681	1.565	1.452	1.343	1.228	1.092	0.866	0.242	36.0	5.74	1.055	Inlet	42
		W/(L/s)	0.64	0.65	0.66	0.68	0.69	0.73	0.78	0.83	0.89	0.98	1.16	3.05					
																	Breakout	38	
																	Breakout	39	
																	Breakout	41	
																	Breakout	43	
																	Breakout	33	
																	Breakout	39	
																	Breakout	47	

Data in accordance with ErP 1253/2014 of the European Parliament. Product category is NRVU. Measurement category used to determine energy efficiency: D.

Data provided at standard air density of 1.2 kg/m³.

The overall A-weighted sound pressure level is at a distance of 3m with spherical free-field propagation. It is expressed in dB re-20µPa and is presented for comparative purposes only.

Elt Fans Limited has a policy of continuous product development and improvement and therefore reserves the right to supply products which may differ from those illustrated and described in this publication. Confirmation of dimensions and data will be supplied on request.

# QUIETFLOW SQS

Performance, SFP & Electrical Data



SINGLE Phase - 200V to 277V / 50Hz or 60Hz

Product Code	Control Voltage	Airflow SFP	Airflow m³/s @ Static Pressure Pa.												Overall Efficiency %	Motor Electrical Data		dBA @ 3m		
			0	25	50	75	100	150	200	250	300	350	400	500		Peak Amps	Input kW			
SQS100-1ECL	10V	m³/s	0.112	0.110	0.107	0.105	0.103	0.098	0.093	0.088	0.081	0.075	0.067	0.046	30.2	1.19	0.128	Inlet	51	
		W/(L/s)	1.13	1.15	1.18	1.20	1.23	1.28	1.34	1.41	1.49	1.58	1.70	2.10				Outlet	50	
	8V	m³/s	0.100	0.098	0.097	0.095	0.093	0.089	0.084	0.079	0.074	0.069	0.062	0.042	35.5	1.02	0.103	Inlet	48	
		W/(L/s)	1.11	1.10	1.08	1.07	1.06	1.06	1.08	1.12	1.19	1.30	1.47	2.28				Outlet	50	
	5V	m³/s	0.063	0.060	0.056	0.052	0.048	0.040	0.031	0.023	0.015	0.009	0.003	26.1	0.37	0.041	Inlet	44		
		W/(L/s)	0.44	0.47	0.50	0.54	0.60	0.76	1.02	1.47	2.30	4.17	12.02				Outlet	42		
	2V	m³/s	0.019	0.008											7.8	0.08	0.005	Inlet	*20	
		W/(L/s)	0.21	0.52														Outlet	*20	
	SQS125-1ECL	10V	m³/s	0.140	0.137	0.134	0.131	0.127	0.121	0.114	0.106	0.098	0.088	0.078	0.051	31.2	1.23	0.133	Inlet	49
			W/(L/s)	0.93	0.96	0.98	1.00	1.03	1.08	1.14	1.22	1.31	1.42	1.57	2.15				Outlet	54
		8V	m³/s	0.125	0.121	0.117	0.114	0.110	0.104	0.097	0.090	0.083	0.075	0.066	0.041	33.9	0.94	0.099	Inlet	49
			W/(L/s)	0.80	0.80	0.81	0.82	0.84	0.88	0.94	1.02	1.13	1.27	1.48	2.35				Outlet	48
5V		m³/s	0.074	0.070	0.065	0.061	0.055	0.043	0.031	0.022	0.014	0.008	0.003	28.7	0.39	0.041	Inlet	49		
		W/(L/s)	0.36	0.38	0.41	0.45	0.50	0.66	0.96	1.49	2.43	4.39	10.81				Outlet	41		
2V		m³/s	0.024	0.013											11.3	0.08	0.005	Inlet	*20	
		W/(L/s)	0.17	0.31														Outlet	*20	
SQS150-1ECL		10V	m³/s	0.166	0.161	0.157	0.153	0.149	0.140	0.132	0.124	0.116	0.107	0.097	0.073	37.7	1.21	0.141	Inlet	49
			W/(L/s)	0.85	0.87	0.89	0.91	0.93	0.98	1.03	1.08	1.14	1.21	1.30	1.59				Outlet	51
		8V	m³/s	0.142	0.139	0.134	0.130	0.125	0.114	0.104	0.095	0.086	0.077	0.068	0.046	33.8	0.96	0.102	Inlet	45
			W/(L/s)	0.67	0.67	0.68	0.69	0.71	0.77	0.85	0.96	1.09	1.24	1.43	2.10				Outlet	51
	5V	m³/s	0.094	0.083	0.074	0.065	0.057	0.043	0.031	0.021	0.011	0.003	29.1	0.35	0.038	Inlet	44			
		W/(L/s)	0.29	0.32	0.35	0.40	0.46	0.64	0.94	1.51	2.92	11.01				Outlet	47			
	2V	m³/s	0.029	0.007											6.2	0.08	0.004	Inlet	*20	
		W/(L/s)	0.14	0.59														Outlet	*20	
	SQS200-1ECL	10V	m³/s	0.306	0.299	0.291	0.283	0.276	0.261	0.246	0.231	0.215	0.199	0.183	0.148	37.7	2.08	0.239	Inlet	51
			W/(L/s)	0.71	0.73	0.76	0.78	0.81	0.87	0.93	1.01	1.08	1.17	1.28	1.55				Outlet	53
		8V	m³/s	0.267	0.254	0.243	0.233	0.224	0.207	0.191	0.176	0.161	0.147	0.133	0.104	41.4	1.46	0.167	Inlet	49
			W/(L/s)	0.56	0.58	0.60	0.62	0.64	0.70	0.76	0.83	0.91	1.01	1.14	1.50				Outlet	50
5V		m³/s	0.166	0.150	0.134	0.119	0.105	0.081	0.062	0.047	0.034	0.023	0.013	36.1	0.51	0.058	Inlet	43		
		W/(L/s)	0.24	0.26	0.29	0.33	0.38	0.51	0.69	0.97	1.43	2.24	4.12				Outlet	43		
2V		m³/s	0.059	0.025											14.2	0.09	0.006	Inlet	*20	
		W/(L/s)	0.10	0.23														Outlet	*20	

Data in accordance with ErP 1253/2014 of the European Parliament. Product category is NRJU. Measurement category used to determine energy efficiency: D.

Data provided at standard air density of 1.2 kg/m³.

The overall A-weighted sound pressure level is at a distance of 3m with spherical free-field propagation. It is expressed in dB re-20µPa and is presented for comparative purposes only.

\* At 2V the average spherical free-field sound pressure levels cannot be accurately measured above the background level in our conventional laboratory facilities. When correctly installed the fan will be inaudible (less than 20dBA).

Elta Fans Limited has a policy of continuous product development and improvement and therefore reserves the right to supply products which may differ from those illustrated and described in this publication. Confirmation of dimensions and data will be supplied on request.

# QUIETFLOW SQS

Performance, SFP & Electrical Data



SINGLE Phase - 200V to 277V / 50Hz or 60Hz

Product Code	Control Voltage	Airflow SFP	Airflow m³/s @ Static Pressure Pa.												Overall Efficiency %	Motor Electrical Data		dBA @ 3m		
			0	25	50	75	100	150	200	250	300	350	400	500		Peak Amps	Input kW			
SQS250-1ECL	10V	m³/s	0.344	0.327	0.312	0.298	0.283	0.255	0.225	0.195	0.168	0.145	0.125	0.096	32.8	1.87	0.224	Inlet	49	
		W/(L/s)	0.54	0.57	0.59	0.61	0.64	0.70	0.79	0.91	1.07	1.26	1.49	2.02				Outlet	48	
	8V	m³/s	0.270	0.261	0.251	0.239	0.226	0.192	0.154	0.124	0.102	0.084	0.070	0.048	35.3	1.25	0.148	Inlet	47	
		W/(L/s)	0.39	0.40	0.42	0.44	0.46	0.54	0.67	0.86	1.07	1.34	1.67	2.65				Outlet	46	
	5V	m³/s	0.174	0.150	0.124	0.097	0.074	0.043	0.024						30.2	0.33	0.039	Inlet	36	
		W/(L/s)	0.18	0.20	0.24	0.31	0.41	0.77	1.52									Outlet	36	
	2V	m³/s	0.067	0.019											12.4	0.09	0.007	Inlet	*20	
		W/(L/s)	0.09	0.30														Outlet	*20	
	SQS315-1ECL	10V	m³/s	0.629	0.615	0.601	0.586	0.570	0.537	0.501	0.460	0.415	0.363	0.303	0.151	35.4	2.07	0.445	Inlet	54
			W/(L/s)	0.67	0.70	0.72	0.74	0.77	0.82	0.89	0.96	1.04	1.15	1.29	1.97				Outlet	53
		8V	m³/s	0.503	0.482	0.459	0.436	0.411	0.358	0.299	0.230	0.150	0.052			33.3	1.08	0.228	Inlet	48
			W/(L/s)	0.44	0.46	0.49	0.52	0.55	0.63	0.73	0.88	1.16	2.43						Outlet	47
5V		m³/s	0.294	0.268	0.231	0.173	0.102								25.9	0.33	0.064	Inlet	39	
		W/(L/s)	0.21	0.24	0.28	0.35	0.53											Outlet	35	
2V		m³/s	0.098												4.4	0.10	0.015	Inlet	*20	
		W/(L/s)	0.15															Outlet	*20	
SQS400-1ECL		10V	m³/s	1.051	1.041	1.031	1.021	1.010	0.988	0.963	0.936	0.906	0.872	0.831	0.724	44.3	4.39	0.954	Inlet	55
			W/(L/s)	0.76	0.77	0.79	0.80	0.82	0.86	0.89	0.94	0.98	1.04	1.10	1.28				Outlet	56
		8V	m³/s	0.835	0.824	0.811	0.798	0.784	0.752	0.714	0.664	0.598	0.514	0.428	0.245	42.9	2.39	0.503	Inlet	49
			W/(L/s)	0.50	0.52	0.53	0.55	0.57	0.61	0.66	0.73	0.82	0.94	1.08	1.56				Outlet	50
	5V	m³/s	0.506	0.479	0.449	0.414	0.371	0.238							36.9	0.61	0.128	Inlet	40	
		W/(L/s)	0.22	0.25	0.27	0.30	0.34	0.51										Outlet	38	
	2V	m³/s	0.164												3.5	0.20	0.052	Inlet	*20	
		W/(L/s)	0.32															Outlet	*20	
	SQS500-1ECL	10V	m³/s	1.422	1.397	1.372	1.345	1.318	1.260	1.197	1.129	1.053	0.967	0.868	0.599	50.9	3.51	0.774	Inlet	45
			W/(L/s)	0.46	0.48	0.50	0.52	0.53	0.57	0.62	0.67	0.73	0.80	0.89	1.19				Outlet	47
		8V	m³/s	1.141	1.114	1.085	1.054	1.020	0.946	0.857	0.744	0.591	0.354			51.1	1.97	0.423	Inlet	41
			W/(L/s)	0.31	0.33	0.34	0.36	0.38	0.43	0.49	0.57	0.69	0.97						Outlet	42
5V		m³/s	0.687	0.637	0.577	0.501	0.393								44.7	0.51	0.107	Inlet	28	
		W/(L/s)	0.13	0.15	0.18	0.21	0.27											Outlet	28	
2V		m³/s	0.231												3.7	0.19	0.054	Inlet	*20	
		W/(L/s)	0.22															Outlet	*20	

A variable speed drive is integrated within the fan.

Data in accordance with ErP 1253/2014 of the European Parliament. Product category is NRVU. Measurement category used to determine energy efficiency: D.

Data provided at standard air density of 1.2 kg/m³.

The overall A-weighted sound pressure level is at a distance of 3m with spherical free-field propagation. It is expressed in dB re-20µPa and is presented for comparative purposes only.

\* At 2V the average spherical free-field sound pressure levels cannot be accurately measured above the background level in our conventional laboratory facilities. When correctly installed the fan will be inaudible (less than 20dBA).

Eltta Fans Limited has a policy of continuous product development and improvement and therefore reserves the right to supply products which may differ from those illustrated and described in this publication. Confirmation of dimensions and data will be supplied on request.

# QUIETFLOW SQS

Performance, SFP & Electrical Data



THREE Phase - 380V to 480V / 50Hz or 60Hz

Product Code	Control Voltage	Airflow SFP	Airflow m³/s @ Static Pressure Pa.												Overall Efficiency %	Motor Electrical Data		dBA @ 3m	
			0	25	50	75	100	150	200	250	300	350	400	500		Peak Amps	Input kW		
SQS500-3ECL	10V	m³/s	1.789	1.770	1.751	1.732	1.712	1.671	1.628	1.583	1.536	1.486	1.432	1.313	52.4	2.31	1.507	Inlet	51
		W/(L/s)	0.69	0.71	0.73	0.74	0.76	0.80	0.84	0.88	0.93	0.97	1.03	1.14				Outlet	57
	8V	m³/s	1.419	1.397	1.373	1.349	1.323	1.269	1.210	1.145	1.072	0.988	0.889	0.620	51.8	1.29	0.781	Inlet	46
		W/(L/s)	0.45	0.47	0.49	0.50	0.52	0.57	0.61	0.66	0.72	0.79	0.87	1.15				Outlet	48
	5V	m³/s	0.852	0.813	0.768	0.718	0.660	0.500	0.197						47.5	0.47	0.188	Inlet	34
		W/(L/s)	0.19	0.21	0.23	0.25	0.28	0.37	0.73									Outlet	34
	2V	m³/s	0.284												14.3	0.16	0.025	Inlet	*20
		W/(L/s)	0.08															Outlet	*20
																		Breakout	*20

## DCV CONTROLS

Demand Control Ventilation (DCV) EC options available, refer to pages 228-229 for DCV information and page 144 for product information; to order add DCV to product code: SQS100-ECL with DCV order SQSDCV100-ECL.



A variable speed drive is integrated within the fan.

Data in accordance with ErP 1253/2014 of the European Parliament. Product category is NRVU. Measurement category used to determine energy efficiency: D.

Data provided at standard air density of 1.2 kg/m³.

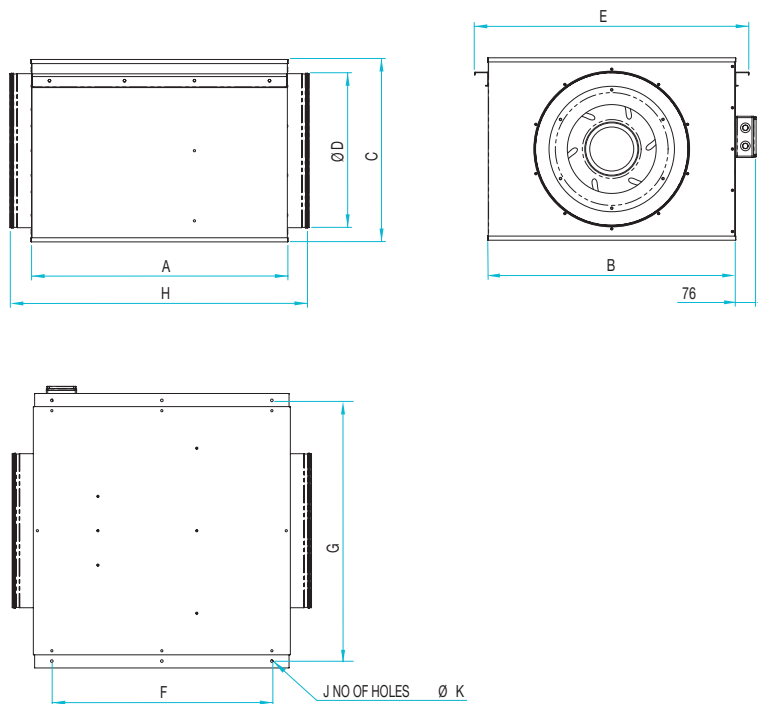
The overall A-weighted sound pressure level is at a distance of 3m with spherical free-field propagation. It is expressed in dB re-20µPa and is presented for comparative purposes only.

\* At 2V the average spherical free-field sound pressure levels cannot be accurately measured above the background level in our conventional laboratory facilities. When correctly installed the fan will be inaudible (less than 20dBA).

Eta Fans Limited has a policy of continuous product development and improvement and therefore reserves the right to supply products which may differ from those illustrated and described in this publication. Confirmation of dimensions and data will be supplied on request.

# QUIETFLOW SQS

## Dimensional Data



Product Code	A	B	C	D	E	F	G	H	J	K	Weight kg
SQS100	509	350	261	100	390	485	380	587	4	8	14
SQS125				125							
SQS150				150							
SQS200	584	396	303	200	436	550	426	662			
SQS250				250							702
SQS315	635	485	400	315	525	580	515	753			
SQS400	700	570	472	400	670		620	858	6	10	36
SQS500	880	750	601	500	850	700	800	1038			60

Dimensions are in mm.

Elta Fans Limited has a policy of continuous product development and improvement and therefore reserves the right to supply products which may differ from those illustrated and described in this publication. Confirmation of dimensions and data will be supplied on request.

# QUIETFLOW SQS

## Accessories



Product Code	Transformer Controller	Flexible Connections (each)	Clamps (each)	AV Mounts (set of 4)	Panel Filter	Electric Heater Battery
<a href="#">SQS125-1ACL</a>	149-TC12	018-0125-FLEX	018-125-CLAMP	062-SEL03	018-0125-FILT-P	018-0125-HEAT-1
<a href="#">SQS150-1ACL</a>	149-TC12	018-0150-FLEX	018-150-CLAMP	062-SEL03	018-0150-FILT-P	018-0150-HEAT-1
<a href="#">SQS200-1ACL</a>	149-TC12	018-0200-FLEX	018-200-CLAMP	062-SEL03	018-0200-FILT-P	018-0200-HEAT-1
<a href="#">SQS250-1ACL</a>	149-TC12	018-0250-FLEX	018-250-CLAMP	062-SEL03	018-0250-FILT-P	018-0250-HEAT-1
<a href="#">SQS315-1ACL</a>	149-TC12	018-0315-FLEX	018-315-CLAMP	062-SEL03	018-0315-FILT-P	018-0315-HEA1/3
<a href="#">SQS400-1ACL</a>	149-TC12	018-0400-FLEX	018-400-CLAMP	062-SEL04	018-0400-FILT-P	018-0400-HEA1/3
<a href="#">SQS500-1ACL</a>	149-TC18	018-0500-FLEX	018-500-CLAMP	062-SEL05	018-0500-FILT-P	018-0500-HEAT-3 018-0500-HEAT-4

Product Code	Silencer 300mm Long	Silencer 600mm Long	Silencer 900mm Long	Silencer 1200mm Long	Wiring Diagram
<a href="#">SQS125-1ACL</a>	068-0125-JF1	068-0125-JF2	068-0125-JF3	068-0125-JF4	152-177
<a href="#">SQS150-1ACL</a>	068-0150-JF1	068-0150-JF2	068-0150-JF3	068-0150-JF4	152-177
<a href="#">SQS200-1ACL</a>	068-0200-JF1	068-0200-JF2	068-0200-JF3	068-0200-JF4	152-177
<a href="#">SQS250-1ACL</a>	068-0250-JF1	068-0250-JF2	068-0250-JF3	068-0250-JF4	152-177
<a href="#">SQS315-1ACL</a>	068-0315-JF1	068-0315-JF2	068-0315-JF3	068-0315-JF4	152-177
<a href="#">SQS400-1ACL</a>	068-0400-JF1	068-0400-JF2	068-0400-JF3	068-0400-JF4	152-104A
<a href="#">SQS500-1ACL</a>	Please enquire				152-104A

Product Code	Electronic Controller	Flexible Connections (each)	Clamps (each)	AV Mounts (set of 4)	Panel Filter	Electric Heater Battery
<a href="#">SQS100-1ECL</a>	149-POT-10	018-0100-FLEX	018-0100-CLAMP	062-SEL03	018-0100-FILT-P	018-0100-HEAT-1
<a href="#">SQS125-1ECL</a>	149-POT-10	018-0125-FLEX	018-125-CLAMP	062-SEL03	018-0125-FILT-P	018-0125-HEAT-1
<a href="#">SQS150-1ECL</a>	149-POT-10	018-0150-FLEX	018-150-CLAMP	062-SEL03	018-0150-FILT-P	018-0150-HEAT-1
<a href="#">SQS200-1ECL</a>	149-POT-10	018-0200-FLEX	018-200-CLAMP	062-SEL03	018-0200-FILT-P	018-0200-HEAT-1
<a href="#">SQS250-1ECL</a>	149-POT-10	018-0250-FLEX	018-250-CLAMP	062-SEL03	018-0250-FILT-P	018-0250-HEAT-1
<a href="#">SQS315-1ECL</a>	149-POT-10	018-0315-FLEX	018-315-CLAMP	062-SEL03	018-0315-FILT-P	018-0315-HEA1/3
<a href="#">SQS400-1ECL</a>	149-POT-10	018-0400-FLEX	018-400-CLAMP	062-SEL04	018-0400-FILT-P	018-0400-HEA1/3
<a href="#">SQS500-1ECL</a>	149-POT-10	018-0500-FLEX	018-500-CLAMP	062-SEL05	018-0500-FILT-P	018-0500-HEAT-3 018-0500-HEAT-4
<a href="#">SQS500-3ECL</a>	149-POT-10	018-0500-FLEX	018-500-CLAMP	062-SEL05	018-0500-FILT-P	018-0500-HEAT-3 018-0500-HEAT-4

Product Code	Silencer 300mm Long	Silencer 600mm Long	Silencer 900mm Long	Silencer 1200mm Long	Wiring Diagram
<a href="#">SQS100-1ECL</a>	068-0100-JF1	068-0100-JF2	068-0100-JF3	068-0100-JF4	152-00036
<a href="#">SQS125-1ECL</a>	068-0125-JF1	068-0125-JF2	068-0125-JF3	068-0125-JF4	152-00036
<a href="#">SQS150-1ECL</a>	068-0150-JF1	068-0150-JF2	068-0150-JF3	068-0150-JF4	152-00036
<a href="#">SQS200-1ECL</a>	068-0200-JF1	068-0200-JF2	068-0200-JF3	068-0200-JF4	152-00036
<a href="#">SQS250-1ECL</a>	068-0250-JF1	068-0250-JF2	068-0250-JF3	068-0250-JF4	152-00044
<a href="#">SQS315-1ECL</a>	068-0315-JF1	068-0315-JF2	068-0315-JF3	068-0315-JF4	152-00044
<a href="#">SQS400-1ECL</a>	068-0400-JF1	068-0400-JF2	068-0400-JF3	068-0400-JF4	152-MOEA03K1
<a href="#">SQS500-1ECL</a>	Please enquire				152-MOEA03K1
<a href="#">SQS500-3ECL</a>	Please enquire				152-MOEA03K3

DCV Accessories	Sensors
Can be used with all DCV products.	149-DCV-CO2
	149-DCV-DPT150
	149-DCV-H1
	149-DCV-HRT
	149-DCV-PIR
	149-DCV-TRT

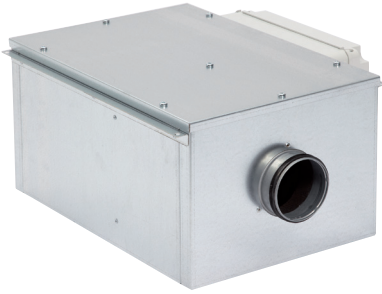
Elta Fans Limited has a policy of continuous product development and improvement and therefore reserves the right to supply products which may differ from those illustrated and described in this publication. Confirmation of dimensions and data will be supplied on request.





# QUIETFLOW SQS DCV

## Centrifugal Box Fan



### OVERVIEW

The Quietflow SQS...EC DCV incorporates the BAT (Best Available Technology) Vpro/ZAvBlue backward curved impeller, with three dimensional profiled blades powered by the ultra reliable Ziehl-Abegg EC (electronically commutated) external rotor motor. The range of acoustically treated single in-line fans are suitable for Demand Control Ventilation via matching sensors.



Refer to Quietflow SQS on pages 113-120 for Performance & Electrical Data.

For DCV information refer to pages 228-229.

### QUICK FACTS

- ✓ 8 sizes from 100mm to 500mm.
- ✓ Air volume flow rates up to 1.789 m<sup>3</sup>/s (EC).
- ✓ Static pressures up to 930 Pa (EC).
- ✓ Suitable for operating temperatures up to +60°C.
- ✓ Robust galvanised sheet steel casing.
- ✓ Available in **EC**.

---

## Applied Technology

**Tel:** +44 (0) 1489 566500  
**Fax:** +44 (0) 1489 566555  
**Email:** at@eltafans.co.uk

17 Barnes Wallis Road,  
Segensworth East Industrial  
Estate, Fareham, Hampshire,  
PO15 5ST United Kingdom

## Building Services

**Tel:** +44 (0) 1384 275800  
**Fax:** +44 (0) 1384 275810  
**Email:** bs@eltafans.co.uk

46 Third Avenue,  
Pensnett Trading Estate,  
Kingswinford, West Midlands,  
DY6 7US United Kingdom

## Export

**Tel:** +44 (0) 1489 566500  
**Fax:** +44 (0) 1489 566555  
**Email:** export@eltafans.co.uk

17 Barnes Wallis Road,  
Segensworth East Industrial  
Estate, Fareham, Hampshire,  
PO15 5ST United Kingdom

---

[www.eltafans.com](http://www.eltafans.com)



BS EN ISO 9001:2008 FM 556465

