



REVOLUTION SLCX

Product Brochure



REVOLUTION SLCX

ATEX Long Cased Axial Flow Fan

For full detailed information on the following:
Sound Data, Accessories & Wiring Data
 and **Optimum Energy Efficiency Point**
 please visit eltaselect.com.

QUICK FACTS

- ✓ 7 standard sizes from 355mm to 710mm.
- ✓ Air volume flow rates up to 6.8 m³/s.
- ✓ Static pressure up to 800 Pa.
- ✓ Suitable for operating temperatures up to +40°C.
- ✓ Suitable for extract or supply systems.
- ✓ Available in **AC**.



CASING

The all metal fan casing and guard provide a long lasting and robust construction.

The units have been constructed from a single sheet of steel, with both motors and axial impellers mounted within the length of the unit casing.

All casing parts are heavy gauge mild steel sheet, roll formed and welded, then hot dip galvanised to BS EN ISO 1461:1999 after fabrication.

IMPELLER

Adjustable pitch aerofoil impellers are provided with blades made from high quality carbon filled anti – static material.

Impellers are factory set at an angle to provide maximum performance.

Hubs are manufactured from die cast aluminium alloy (LM24).

Assembled impellers are dynamically balanced to ISO 14694 Grade G6.3.

QUALITY MANAGEMENT

Units are to be designed and manufactured with procedures as defined in BS EN ISO 9001:2008.

All ATEX units are to be tested to ISO 5801:1997 (airside performance) and BS 848 Part 2: 1985 (sound performance).

TYPICAL APPLICATIONS

- Chemical Process
- Water and Sewage Treatment
- Material and Gas Waste
- Dust and Paint Extraction
- Battery Room Ventilation and Refrigeration

MOTORS

Motors according to Gas Zone, Ignition Temperature and Protection to Ex II 2G c IIC T4 X.

ACCESSORIES

For full accessories & controls information please visit eltaselect.com



Elta Fans Limited has a policy of continuous product development and improvement and therefore reserves the right to supply products which may differ from those illustrated and described in this publication. Confirmation of dimensions and data will be supplied on request.

REVOLUTION SLCX

Performance, SFP & Electrical Data



THREE Phase - 380V to 415V / 50Hz

Product Code	Speed r/min	Airflow SFP	Airflow m ³ /s @ Static Pressure Pa												Overall Efficiency %	Motor Electrical Data			dBA @ 3m		
			0	25	50	75	100	150	200	250	300	350	400	500		FLC Amps	SC Amps	Output kW			
SLCX355/4-3	1360	m ³ /s	0.860	0.821	0.773	0.716	0.648									28.4	1.1	3.74	0.37	Inlet	50
		W/(L/s)	0.860	0.821	0.773	0.716	0.648														Outlet
SLCX400/4-3	1390	m ³ /s	1.343	1.292	1.235	1.170	1.094	0.849								31.1	1.6	6.56	0.55	Inlet	53
		W/(L/s)	0.36	0.38	0.41	0.44	0.47	0.60													Outlet
SLCX400/2-3	2820	m ³ /s	2.601	2.554	2.507	2.462	2.416	2.322	2.224	2.117	1.998	1.858	1.690			44.6	5	28	2.2	Inlet	61
		W/(L/s)	0.79	0.80	0.82	0.83	0.85	0.88	0.92	0.96	1.02	1.08	1.18								Outlet
SLCX450/4-3B	1390	m ³ /s	1.979	1.904	1.829	1.753	1.670	1.444								37.6	1.6	7.79	0.75	Inlet	56
		W/(L/s)	0.32	0.35	0.38	0.41	0.45	0.54													
SLCX450/2-3A	2820	m ³ /s	2.998	2.961	2.923	2.885	2.845	2.764	2.679	2.587	2.487	2.377	2.250	1.900		60.4	5	28	2.2	Inlet	68
		W/(L/s)	0.47	0.49	0.51	0.53	0.55	0.60	0.65	0.69	0.75	0.80	0.87	1.05							
SLCX500/4-3	1380	m ³ /s	2.668	2.579	2.494	2.409	2.317	2.082	1.680							53.0	2.7	11.1	1.1	Inlet	62
		W/(L/s)	0.37	0.40	0.43	0.45	0.47	0.53	0.64												
SLCX500/2-3	2820	m ³ /s	3.642	3.584	3.527	3.468	3.410	3.291	3.168	3.042	2.910	2.771	2.622	2.274		48.1	5	28	2.2	Inlet	73
		W/(L/s)	0.56	0.57	0.59	0.60	0.62	0.66	0.72	0.78	0.86	0.95	1.05	1.27							
SLCX500/2-3B	2900	m ³ /s	0.56	0.57	0.59	0.60	0.62	0.66	0.72	0.78	0.86	0.95	1.05	1.27		53.0	8	56	4	Inlet	80
		W/(L/s)	0.89	0.91	0.93	0.95	0.97	1.00	1.04	1.09	1.13	1.17	1.22	1.32							
SLCX560/4-3	1380	m ³ /s	3.739	3.646	3.551	3.452	3.347	3.102	2.749							46.4	3.5	15.4	1.5	Inlet	66
		W/(L/s)	0.38	0.41	0.43	0.45	0.48	0.53	0.60												
SLCX630/4-3	1410	m ³ /s	5.400	5.285	5.150	5.004	4.860	4.570	4.230	3.735						51.0	6.5	35.75	3	Inlet	66
		W/(L/s)	0.42	0.44	0.47	0.49	0.51	0.56	0.61	0.69											
SLCX710/4-3	1410	m ³ /s	6.661	6.515	6.376	6.238	6.099	5.805	5.462	5.003	4.355					55.9	6.5	35.75	3	Inlet	68
		W/(L/s)	0.38	0.40	0.43	0.45	0.47	0.52	0.57	0.62	0.71										

Exempt from ErP of the European Parliament.

The overall A-weighted sound pressure level is at a distance of 3m with spherical free-field propagation.

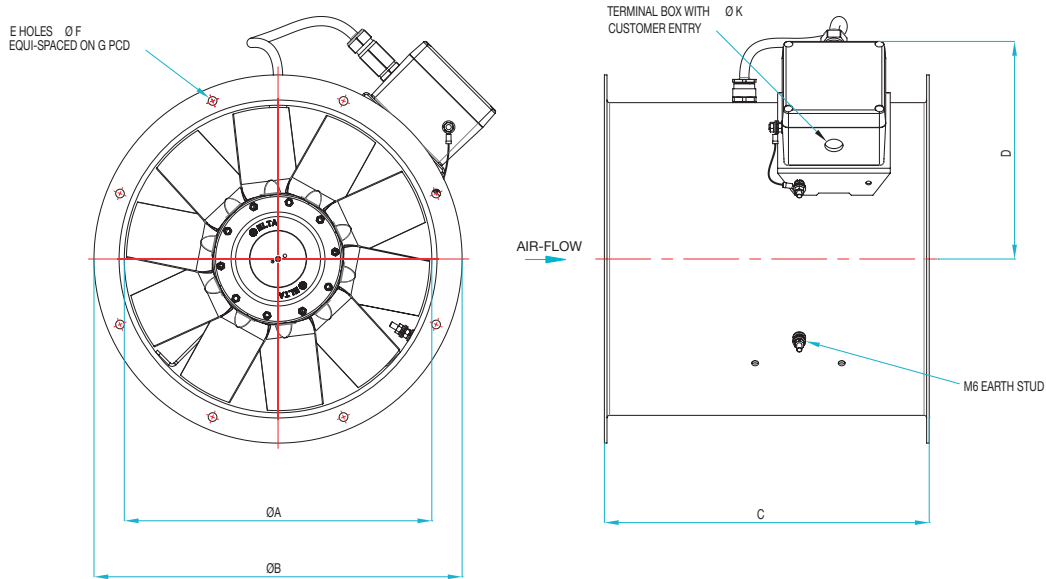
It is expressed in dB re-20µPa and is presented for comparative purposes only.

Data provided at standard air density of 1.2 kg/m³. Peak Amps @ 400V / 3Ph / 50Hz.

Elta Fans Limited has a policy of continuous product development and improvement and therefore reserves the right to supply products which may differ from those illustrated and described in this publication. Confirmation of dimensions and data will be supplied on request.

REVOLUTION SLCX

Dimensional Data



Product Code	A	B	C	D	E	F	G	K	Weight kg
SLCX355/4-3	355	425	375	255	8	10	395	M20	29
SLCX400/2-3	400	475	400	270	8	12	450	M20	43
SLCX400/4-3	400	475	400	270	8	12	450	M20	35
SLCX450/2-3A	450	530	450	290	8	12	500	M20	47
SLCX450/4-3B	450	530	450	290	8	12	500	M20	40
SLCX500/2-3	500	585	450	310	12	12	560	M20	51
SLCX500/2-3B	500	585	450	310	12	12	560	M20	68
SLCX500/4-3	500	585	450	310	12	12	560	M20	47
SLCX560/4-3	560	645	450	340	12	12	620	M20	63
SLCX630/4-3	630	715	450	355	12	12	690	M20	64
SLCX710/4-3	710	795	450	385	16	12	770	M20	70

Dimensions are in mm.

Elta Fans Limited has a policy of continuous product development and improvement and therefore reserves the right to supply products which may differ from those illustrated and described in this publication. Confirmation of dimensions and data will be supplied on request.

REVOLUTION SLCX

Accessories

Product Code	Impeller Side Guard	Ancillary Pack*	Mounting Feet (each)	Matching Flanges (each)	Flexible Connections (each)	AV Mounts (set of 4)	Bell Mouth Inlet
SLCX355/4-3	078C-0350-C	APKX350/002	060B-0350	061B-0350	063-0350-BM1060	062-002	241B-0350-BELL
SLCX400/4-3	078C-0400-C	APKX400/003	060B-0400	061B-0400	063-0400-BM1060	062-003	241B-0400-BELL
SLCX400/2-3	078C-0400-C	APKX400/002	060B-0400	061B-0400	063-0400-BM1060	062-002	241B-0400-BELL
SLCX450/2-3A	078C-0450-C	APKX450/003	060B-0450	061B-0450	063-0450-BM1060	062-003	241B-0450-BELL
SLCX450/4-3B	078C-0450-C	APKX450/003	060B-0450	061B-0450	063-0450-BM1060	062-003	241B-0450-BELL
SLCX500/2-3	078C-0500-C	APKX500/003	060B-0500	061B-0500	063-0500-BM1060	062-003	241B-0500-BELL
SLCX500/2-3B	078C-0500-C	APKX500/003	060B-0500	061B-0500	063-0500-BM1060	062-003	241B-0500-BELL
SLCX500/4-3	078C-0500-C	APKX500/003	060B-0500	061B-0500	063-0500-BM1060	062-003	241B-0500-BELL
SLCX560/4-3	078C-0560-C	APKX560/003	060B-0560	061B-0560	063-0560-BM1060	062-003	241B-0560-BELL
SLCX630/4-3	078C-0630-C	APKX630/003	060B-0630	061B-0630	063-0630-BM1060	062-003	241B-0630-BELL
SLCX710/4-3	078C-0710-C	APKX710/004	060B-0710	061B-0710	063-0710-BM1060	062-004	241B-0710-BELL

Product Code	Silencer 1D Podded	Silencer 1D Unpodded	Silencer 2D Podded	Silencer 2D Unpodded	Wiring Diagram
SLCX355/4-3	068-0350-1DEP	068-0350-1DENP	068-0350-2DEP	068-0350-2DENP	152-612
SLCX400/2-3	068-0400-1DEP	068-0400-1DENP	068-0400-2DEP	068-0400-2DENP	152-612
SLCX400/4-3	068-0400-1DEP	068-0400-1DENP	068-0400-2DEP	068-0400-2DENP	152-612
SLCX450/2-3A	068-0450-1DEP	068-0450-1DENP	068-0450-2DEP	068-0450-2DENP	152-612
SLCX450/4-3B	068-0450-1DEP	068-0450-1DENP	068-0450-2DEP	068-0450-2DENP	152-612
SLCX500/2-3	068-0500-1DEP	068-0500-1DENP	068-0500-2DEP	068-0500-2DENP	152-612
SLCX500/2-3B	068-0500-1DEP	068-0500-1DENP	068-0500-2DEP	068-0500-2DENP	152-612
SLCX500/4-3	068-0500-1DEP	068-0500-1DENP	068-0500-2DEP	068-0500-2DENP	152-612
SLCX560/4-3	068-0560-1DEP	068-0560-1DENP	068-0560-2DEP	068-0560-2DENP	152-612
SLCX630/4-3	068-0630-1DEP	068-0630-1DENP	068-0630-2DEP	068-0630-2DENP	152-612
SLCX710/4-3	068-0710-1DEP	068-0710-1DENP	068-0710-2DEP	068-0710-2DENP	152-612

* Consists of Flexible Connections, Matching Flanges, AV Mounts and Mounting Feet.

Elta Fans Limited has a policy of continuous product development and improvement and therefore reserves the right to supply products which may differ from those illustrated and described in this publication. Confirmation of dimensions and data will be supplied on request.

Applied Technology

Tel: +44 (0) 1489 566500
Fax: +44 (0) 1489 566555
Email: at@eltafans.co.uk

17 Barnes Wallis Road,
Segensworth East Industrial
Estate, Fareham, Hampshire,
PO15 5ST United Kingdom

Building Services

Tel: +44 (0) 1384 275800
Fax: +44 (0) 1384 275810
Email: bs@eltafans.co.uk

46 Third Avenue,
Pensnett Trading Estate,
Kingswinford, West Midlands,
DY6 7US United Kingdom

Export

Tel: +44 (0) 1489 566500
Fax: +44 (0) 1489 566555
Email: export@eltafans.co.uk

17 Barnes Wallis Road,
Segensworth East Industrial
Estate, Fareham, Hampshire,
PO15 5ST United Kingdom

www.eltafans.com



BS EN ISO 9001:2008 FM 556465

